

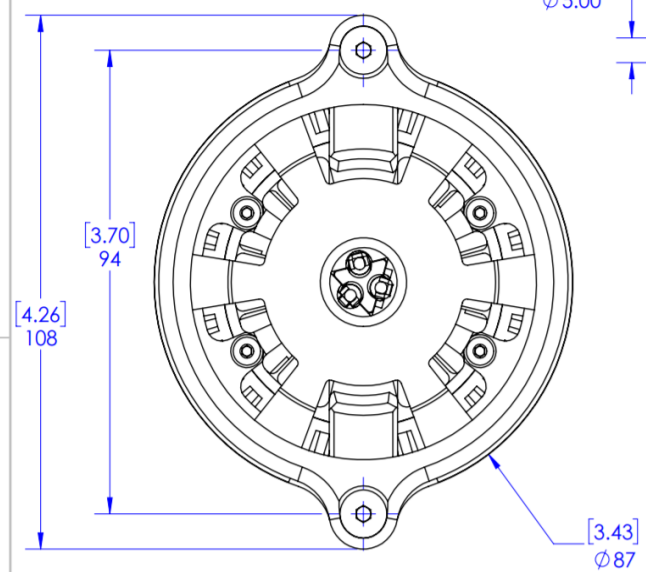
JOIN THE COUNTER REVOLUTION

 CR FLIGHT™

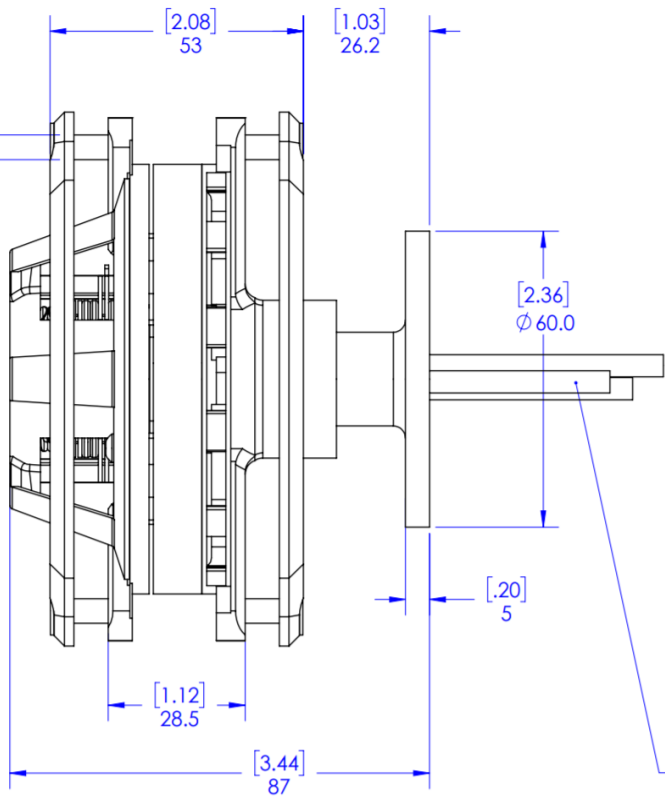


V 20

B



3



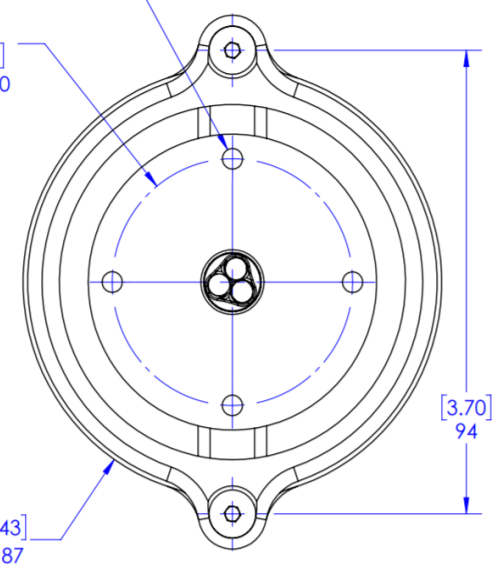
2

4X EQUAL SPACE
M5X0.8 - 6H THRU

BC
[1.97]
 $\phi 50.0$

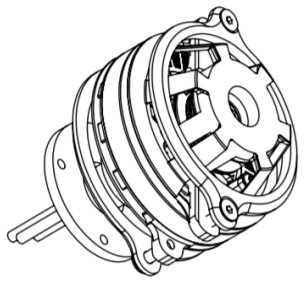
POWER LEADS

1



B

A



A

4

3

2

1

V20 (85Kv)

Mass of V20 is ~540 grams

Voltage	Prop	Current (A)	Power (W)	Thurst (lbs)	Thrust (lbs/g)	Grams/Watt	Operation Temperature (C)
48	30.5"x10	4.8	230.4	6	2727	11.8	>70 C
		6.3	302.4	7.4	3364	11.1	
		7.4	355.2	8.5	3864	10.9	
48	32.5"x10	3.2	153.6	4.6	1445.00	9.4	>75 C
		4.5	216	6.1	2773.00	12.8	
		7.7	369.6	9.3	4227.00	11.4	
		10.6	508.8	11.3	5136.00	10.1	
48	34.5"x10	5.2	249.6	7.1	3227.00	12.9	>80 C
		10.2	489.6	11.7	5318.00	10.9	
		13	624	14	6364.00	10.2	
48	36.5"x10	5.3	254.4	7.7	3500.00	13.8	>85 C
		10.1	484.8	12.3	5591.00	11.5	
		14.4	691.2	15.7	7136.00	10.3	
48	38"x10	3.9	187.2	6.3	2864	15.3	>100 C
		5	240	7.5	3409	14.2	
		10.2	489.6	12.3	5591	11.4	
		15	720	16.3	7409	10.3	
		18.4	883.2	18.3	8318	9.4	

V20 (135Kv)

Voltage	Prop	Current (A)	Power (W)	Thurst (lbs)	Thrust (lbs/g)	Grams/Watt	Operation Temperature (C)
48	30.5"x10	5.2	249.6	6.1	2772	11.1	>90 C
		10.2	489.6	9.8	4455	9.1	
		15.3	734.4	13.4	6091	8.3	
		18	864	15.1	6864	7.9	

48	32.5x10	4	192	5.5	2500	13.0	>95 C
		5	240	6.5	2955	12.3	
		8	384	9	4091	10.7	
		10.2	489.6	10.4	4727	9.7	
		15.2	729.6	13.8	6273	8.6	
		20.5	984	16.7	7591	7.7	
48	34.5"x10	3.5	168	5.3	2409	14.3	>100 C
		4	192	5.9	2682	14.0	
		5.3	254.4	7.1	3227	12.7	
		8.3	398.4	9.6	4364	11.0	
		10.2	489.6	11	5000	10.2	
		15.2	729.6	13.8	6273	8.6	
		20.5	984	17	7727	7.9	
		24.5	1176	18.7	8500	7.2	
48	36.5"x10	3.6	172.8	5.3	2409	13.9	>125 C
		4.3	206.4	6	2727	13.2	
		5	240	6.5	2955	12.3	
		8.4	403.2	9.6	4364	10.8	
		10.4	499.2	11	5000	10.0	
		15.6	748.8	13.7	6227	8.3	
		20.5	984	16	7273	7.4	
		24.3	1166.4	17.5	7955	6.8	
		29	1392	19	8636	6.2	
48	39"x10	3.8	182.4	5.5	2500.00	13.7	>130 C
		5.2	249.6	7.1	3227.00	12.9	
		7.8	374.4	9.3	4227.00	11.3	
		10	480	10.9	4955.00	10.3	
		15	720	14	6364.00	8.8	
		20	960	15.9	7227.00	7.5	
		25	1200	17.3	7864.00	6.6	
		29	1392	19	8636.00	6.2	

V20 (190Kv)

Voltage	Prop	Current (A)	Power (W)	Thurst (lbs)	Thrust (g)	Grams/Watt	Operation Temperature (C)
48	27.5"x8.9	2.5	120	3.1	1409	11.7	>100 C
		4.5	216	4.7	2136	9.9	
		5.9	283.2	5.7	2591	9.1	
		8.2	393.6	7.6	3455	8.8	
		9.5	456	8	3636	8.0	
		11.7	561.6	9.1	4136	7.4	
		13.5	648	10.4	4727	7.3	
		16	768	12	5455	7.1	
		18	864	13	5909	6.8	
		20	960	14	6364	6.6	
		25.5	1224	16.8	7636	6.2	
		30	1440	18.8	8545	5.9	
48	30.5"x 10	2.1	100.8	2.4	1091	10.8	<110 C
		4.3	206.4	4.9	2227	10.8	
		6.3	302.4	6.5	2955	9.8	
		8.6	412.8	8.3	3773	9.1	
		10.5	504	9.7	4409	8.7	
		12.6	604.8	11.1	5054	8.4	
		13.6	652.8	12	5455	8.4	
		16	768	13.5	6136	8.0	
		18.2	873.6	14.2	6455	7.4	
		19.2	921.6	15	6818	7.4	
		22.5	1080	16.8	7636	7.1	
		24.8	1190.4	17.7	8045	6.8	
		26	1248	18.6	8455	6.8	
		29	1392	20	9091	6.5	
31	1488	21	9545	6.4			
		39.5	1896	24.5	11136	5.9	130 C After 5 min
48	32"x11	2	96	3.1	1409	14.7	>110 C
		4.4	211.2	5.3	2409	11.4	
		6.4	307.2	7.1	3227	10.5	
		8.3	398.4	8.5	3864	9.7	
		10	480	9.8	4455	9.3	
		12	576	11	5000	8.7	
		14	672	11.8	5364	8.0	

		16	768	12.8	5818	7.6	
		18	864	14	6364	7.4	
		20	960	14.6	6636	6.9	
		25	1200	16.7	7591	6.3	
		31	1488	19.7	8955	6.0	
48	34.5"x11	4.6	220.8	5.8	2636	11.9	
		6.8	326.4	7.6	3455	10.6	
		8	384	8.5	3864	10.1	
		11	528	11	5000	9.5	
		13	624	12	5455	8.7	
		15	720	13	5909	8.2	
		20	960	15	6881	7.2	
		25	1200	17.5	7955	6.6	
		31	1488	19.5	8864	6.0	
		35	1680	20	9091	5.4	>130 C
		40	1920	24	10909	5.7	<150C After 30 Sec
		45	2160	25	11364	5.3	