

# JOIN THE COUNTER REVOLUTION

 CR FLIGHT™



# V 50

2:3 SCALE

4

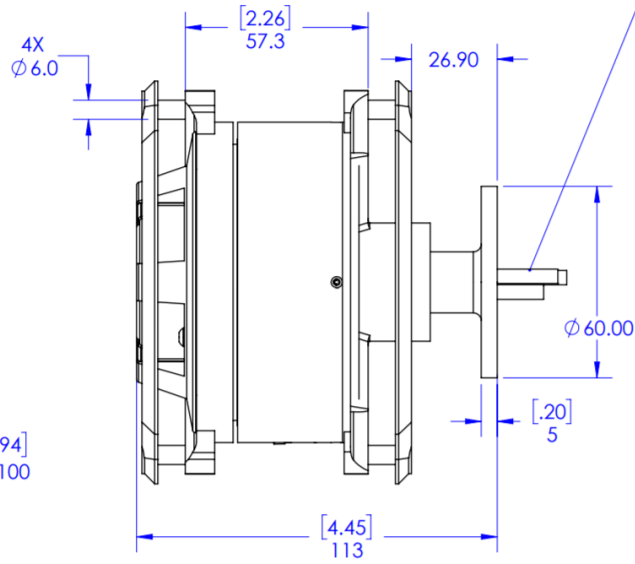
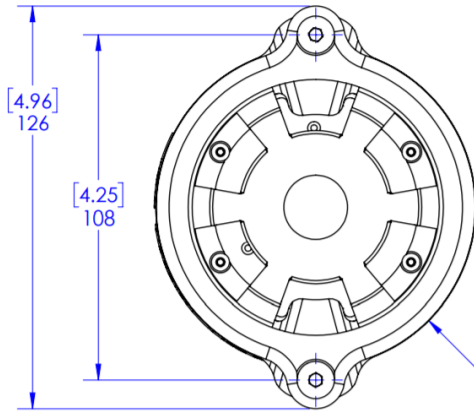
3

2

1

B

B



POWER LEADS

4X Ø 4.20 THRU  
M5X0.8 - 6H THRU

Ø 50.00

[3.94]  
Ø 100

[4.25]  
108

A

A



4

3

2

1

# V50 (130Kv)

Mass of V50 is ~1250 grams

| Voltage | Prop     | Current (A) | Power (W) | Thrust (lbs) | Thrust (g) | Grams/Watt | Operation Temperature (C) |
|---------|----------|-------------|-----------|--------------|------------|------------|---------------------------|
| 48      | 42"x13.1 | 4.8         | 230       | 6.3          | 2864       | 12.43      | >110 C                    |
|         |          | 9.6         | 461       | 11.4         | 5182       | 11.25      |                           |
|         |          | 15.2        | 730       | 16           | 7273       | 9.97       |                           |
|         |          | 19.6        | 941       | 19.5         | 8864       | 9.42       |                           |
|         |          | 25.5        | 1224      | 23.4         | 10636      | 8.69       |                           |
|         |          | 29.5        | 1416      | 26.2         | 11909      | 8.41       |                           |
|         |          | 35.5        | 1704      | 30           | 13636      | 8.00       |                           |
|         |          | 41.9        | 2011      | 34           | 15455      | 7.68       |                           |
|         |          | 47.9        | 2299      | 37           | 16818      | 7.31       |                           |
|         |          | 50.8        | 2438      | 38.5         | 17500      | 7.18       |                           |
|         |          | 62          | 2976      | 45           | 20455      | 6.87       |                           |
|         |          | 81          | 3888      | 53           | 24091      | 6.20       |                           |
| 48      | 45"x13.1 | 5           | 240       | 7.5          | 3410       | 14.21      | > 110 C                   |
|         |          | 8           | 384       | 10.5         | 4770       | 12.42      |                           |
|         |          | 11          | 528       | 13           | 5910       | 11.19      |                           |
|         |          | 15          | 720       | 16.7         | 7600       | 10.56      |                           |
|         |          | 20          | 960       | 20.7         | 9410       | 9.80       |                           |
|         |          | 25          | 1200      | 25           | 11364      | 9.47       |                           |
|         |          | 30          | 1440      | 27.5         | 12500      | 8.68       |                           |
|         |          | 40          | 1920      | 34.4         | 15636      | 8.14       |                           |
|         |          | 50          | 2400      | 40           | 18182      | 7.58       |                           |
|         |          | 60          | 2880      | 45           | 20455      | 7.10       |                           |
|         |          | 72          | 3456      | 51           | 23182      | 6.71       |                           |
|         |          | 80          | 3840      | 55           | 25000      | 6.51       |                           |
|         |          | 85          | 4080      | 58           | 26363      | 6.46       | ~110 C < 30 minute        |
|         |          | 95          | 4560      | 62           | 28182      | 6.18       | ~150 C < 3 minute         |
|         |          | 115         | 5520      | 75           | 34091      | 6.18       | ~150 C < 1 minute         |
| 48      | 48"x16.4 | 6           | 288       | 9            | 3273       | 11.36      |                           |
|         |          | 11          | 528       | 14.8         | 5818       | 11.02      |                           |
|         |          | 15.5        | 744       | 18           | 6909       | 9.29       |                           |
|         |          | 18.5        | 888       | 21           | 9727       | 10.95      |                           |
|         |          | 25.5        | 1224      | 26           | 11818      | 9.66       |                           |

|    |        |      |      |      |       |       |                               |
|----|--------|------|------|------|-------|-------|-------------------------------|
|    |        | 34   | 1632 | 31   | 13000 | 7.97  |                               |
|    |        | 39   | 1872 | 35   | 14091 | 7.53  |                               |
|    |        | 44   | 2112 | 38   | 15455 | 7.32  |                               |
|    |        | 48.5 | 2328 | 40   | 18636 | 8.01  | Max Sustainable Power @ 113 C |
|    |        | 59   | 2832 | 45.5 | 20909 | 7.38  |                               |
|    |        | 72   | 3456 | 50   | 22273 | 6.44  |                               |
|    |        | 131  | 6288 | 55   | 25000 | 3.98  |                               |
|    |        |      |      |      |       |       |                               |
| 48 | 53"x16 | 5.5  | 264  | 8.3  | 3773  | 14.29 |                               |
|    |        | 9.6  | 461  | 12.8 | 5818  | 12.63 |                               |
|    |        | 15   | 720  | 18.2 | 8273  | 11.49 |                               |
|    |        | 20.6 | 989  | 22.7 | 10318 | 10.43 |                               |
|    |        | 25   | 1200 | 27   | 12273 | 10.23 |                               |
|    |        | 31   | 1488 | 30.4 | 13818 | 9.29  |                               |
|    |        | 40   | 1920 | 36   | 16364 | 8.52  |                               |
|    |        | 50   | 2400 | 42   | 19091 | 7.95  | Max Sustainable Power @ 110 C |
|    |        | 60   | 2880 | 46   | 20909 | 7.26  |                               |
|    |        | 70   | 3360 | 51   | 23182 | 6.90  |                               |
|    |        | 80   | 3840 | 55   | 2500  | 0.65  |                               |