

JOIN THE COUNTER REVOLUTION

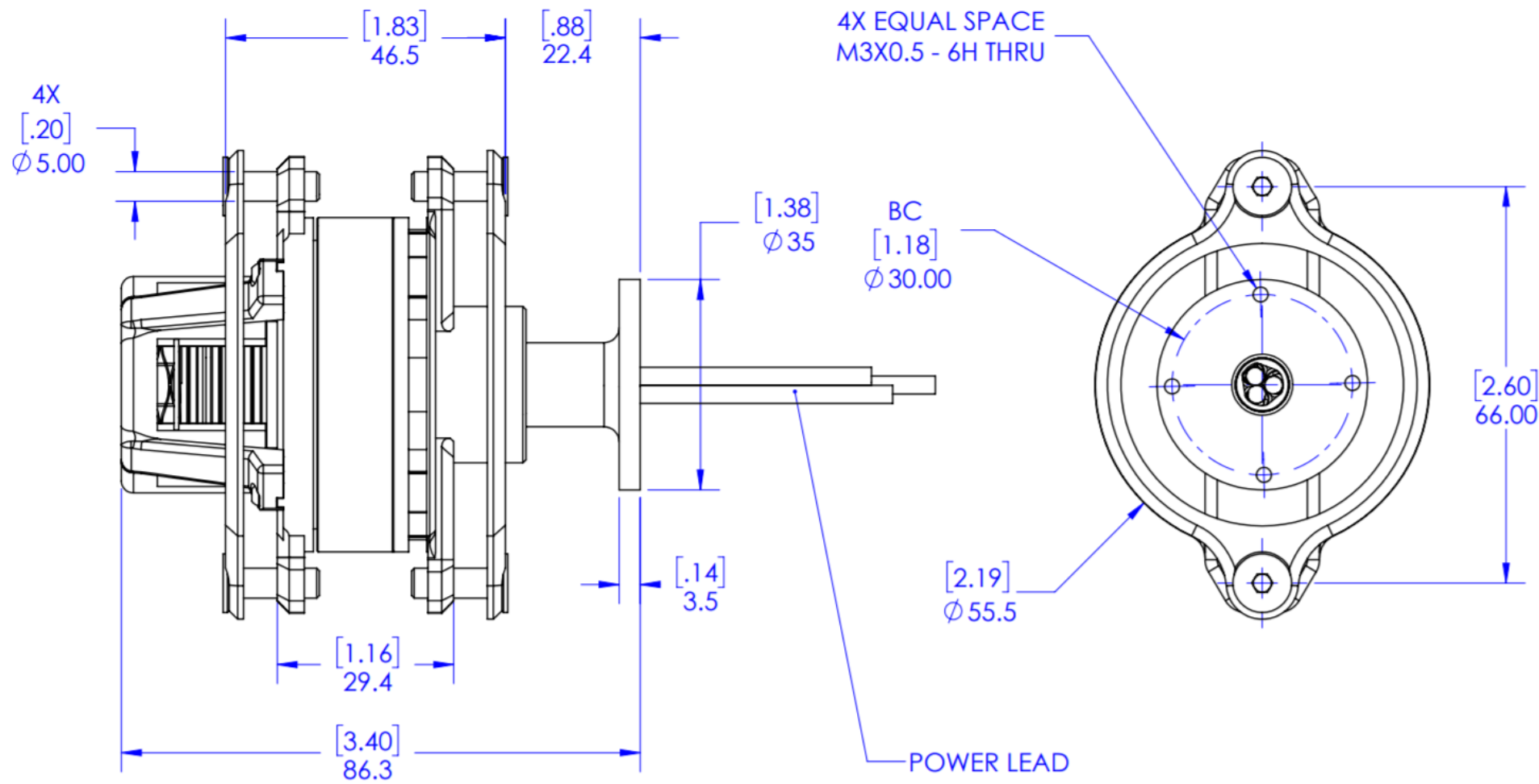
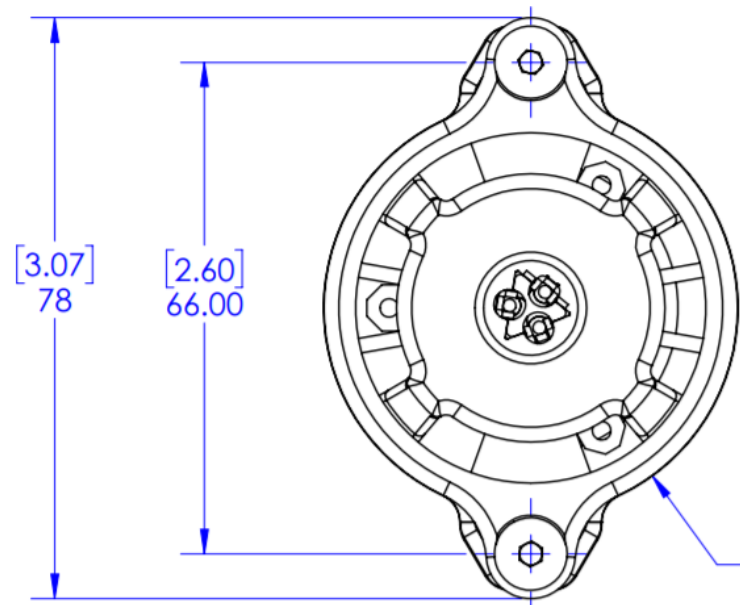
 CR FLIGHT™



V 10

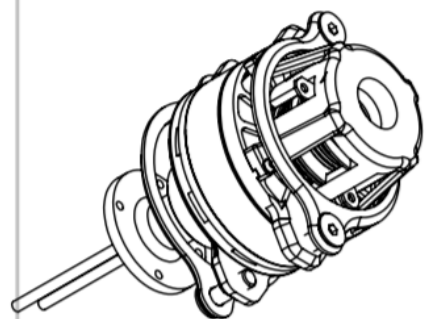
B

B



A

A



4

3

2

1

V10 (170Kv)

Mass of V10 is ~300 grams

Voltage	Prop	Current (A)	Power (W)	Thrust (lbs)	Thrust (g)	Watts/Gram	Operation Temperature (C)
48	21"x7	4	192	4	1818	9.47	>80 C
		5.1	244.8	4.5	2045	8.35	
		6.2	297.6	5.2	2364	7.94	
		8.1	388.8	6.4	2909	7.48	
		9.1	436.8	7.1	3227	7.39	
		10.4	499.2	7.8	3545	7.10	
		11.2	537.6	8.2	3727	6.93	
		12.2	585.6	8.7	3955	6.75	
48	21.5"x8.1	4.2	201.6	4	1818	9.02	>90 C
		5	240	4.7	2136	8.90	
		6.8	326.4	6	2727	8.35	
		8.3	398.4	6.8	3091	7.76	
		10	480	7.9	3501	7.29	
		12	576	9.2	4182	7.26	
48	23"x7.4	4	192	4	1818	9.47	>90 C
		4.8	230.4	4.6	2091	9.08	
		5.8	278.4	5.4	2455	8.82	
		7.1	340.8	6.2	2818	8.27	
		8	384	6.7	3045	7.93	
		9	432	7.5	3409	7.89	
		10.5	504	8.3	/3773		
		11.1	532.8	8.6	3909	7.34	
		14	672	10.3	4682	6.97	
48	24.5"x8.1	4.2	201.6	4.4	2000	9.92	>110 C
		5.1	244.8	5.1	2318	9.47	
		6.3	302.4	6	2727	9.02	
		8.2	393.6	7.1	3227	8.20	
		10.3	494.4	8.3	3773	7.63	
		12.6	604.8	9.6	4364	7.22	<110 C After 10 min
		14.1	676.8	10.6	4818	7.12	
48	27.5"x8.9	4	192	5	2273	11.84	>110 C
		6	288	6.4	2909	10.10	
		8	384	8	3636	9.47	
		10	480	9	4091	8.52	
		12	576	10	4545	7.89	
		14	672	10.6	4818	7.17	
		16	768	12	5455	7.10	
		18	864	12.9	6136	7.10	<110 C After 10 min
		20	960	13.5	4818	5.02	

V10 (240Kv)

Voltage	Prop	Current (A)	Power (W)	Thrust (lbs)	Thrust (lbs/g)	Watts/Gram	Operation Temperature (C)	
24	18.5"x6.3	4	192	2.1	955	4.97	>70 C	
		5	240	2.5	1136	4.73		
		6	288	3.1	1409	4.89		
24	21.5"x7.3	4	96	2.5	1136	11.83		
		6	144	3.5	1591	11.05		
		8	192	4.3	1955	10.18		
		10	240	5	2273	9.47		
		11	264	5.7	2409	9.13		
48	21.5"x7.3	4	192	3.5	1600	8.33		>110 C
		6	288	5.2	2364	8.21		
		8	384	6.5	2955	7.70		
		10	480	7.6	3818	7.95		
		12	576	8.4		0.00		
		15	720	10.4	4727	6.57		
		20	960	12.6	5727	5.97		<110 C After 10 min
24	24.5"x8.1	4	96	2.4	1091	11.36	>70 C	
		6	144	3.4	1545	10.73		
		8	192	4.4	2000	10.42		
		10	240	5.3	2409	10.04		
		12	288	6.1	2773	9.63		
		14	336	6.6	3000	8.93		
48	24.5"x8.1	4	192	4	1818	9.47	>100 C	
		6	288	5.6	2545	8.84		
		6.9	331.2	6.3	2864	8.65		
		8	384	6.8	3091	8.05		
		10	480	7.7	3500	7.29		
		12	576	9	4091	7.10		
		15	720	10	4545	6.31		
20	960	13.3	6045	6.30	>110 C			
24	27"x8	4	96	2.8	1273	13.26	>90 C	
		6	144	3.8	1727	11.99		
		8	192	4.4	2000	10.42		
		10	240	5.2	2364	9.85		
		12	288	5.9	2682	9.31		
		14	336	6.6	3000	8.93		
		16	384	7.2	3273	8.52		
		18	432	8	3636	8.42		
48	27"x8	2	96	2.7	1227	12.78	>90 C	
		4	192	4.4	2000	10.42		

		6	288	5.7	2591	9.00	
		8	384	6.7	3045	7.93	
		10	480	7.9	3591	7.48	

V10 (300Kv)							
Voltage	Prop	Current (A)	Power (W)	Thrust (lbs)	Thrust (lbs/g)	Watts/Gram	Operation Temperature (C)
24	18.5"x6.3	4	96	1.7	773	8.05	>70 C
		6	144	2.4	1091	7.58	
		8	192	3.3	1500	7.81	
		8.5	204	3.5	1591	7.80	
48	18.5"x6.3	4.1	196.8	3	1364	6.93	>90 C
		5.3	254.4	3.8	1727	6.79	
		8.3	398.4	5.5	2500	6.28	
		10.4	499.2	6.3	2864	5.74	
		12.2	585.6	7.3	3318	5.67	
		15	720	8.2	3727	5.18	
24	21.5"x7.3	4	96	2.2	1000	10.42	>70 C
		6	144	3	1364	9.47	
		8	192	3.9	1773	9.23	
		10	240	4.7	2136	8.90	
		12	288	5.4	2455	8.52	
		15.2	364.8	6.3	2864	7.85	
48	21.5"x7.3	4.4	211.2	3.9	1773	8.39	>110 C
		5.4	259.2	4.5	2045	7.89	
		8	384	6	2545	6.63	
		10.5	504	7	3182	6.31	
		12.2	585.6	7.7	3500	5.98	
		15	720	8.8	4000	5.56	
24	23.5"x5.5	4	96	1.9	864	9.00	>70 C
		6	144	2.7	1227	8.52	
		8	192	3.4	1545	8.05	
		10	240	4.1	1864	7.77	
		12	288	4.7	2136	7.42	
		14	336	5.2	2364	7.04	
48	23.5"x5.5	5.2	249.6	3.9	1773	7.10	>110 C
		6	288	4.3	1955	6.79	
		8.4	403.2	5.4	2455	6.09	
		10	480	6	2727	5.68	
		12.8	614.4	7.1	3227	5.25	
		15	720	8.2	3727	5.18	
		20	960	10	4545	4.73	

24	27"x8	4	96	2.5	1136	11.83	>115 C
		6	144	3.4	1545	10.73	
		8	192	4.1	1864	9.71	
		10	240	5	2273	9.47	
		12	288	5.5	2500	8.68	
		15	360	6.5	2955	8.21	
		20	480	8	3636	7.58	
		25	600	9.2	4182	6.97	
		30	720	10.3	4682	6.50	
		35	840	11.5	5227	6.22	